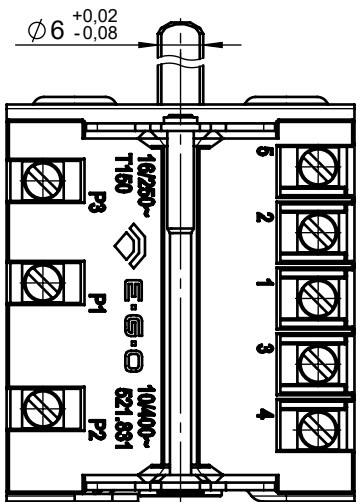


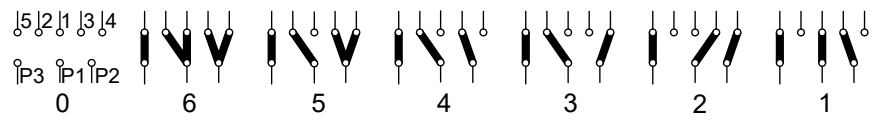
1 2 3 4 5 6

A

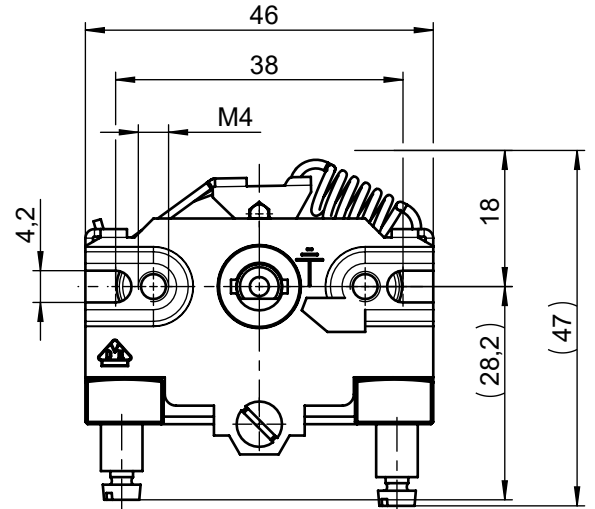
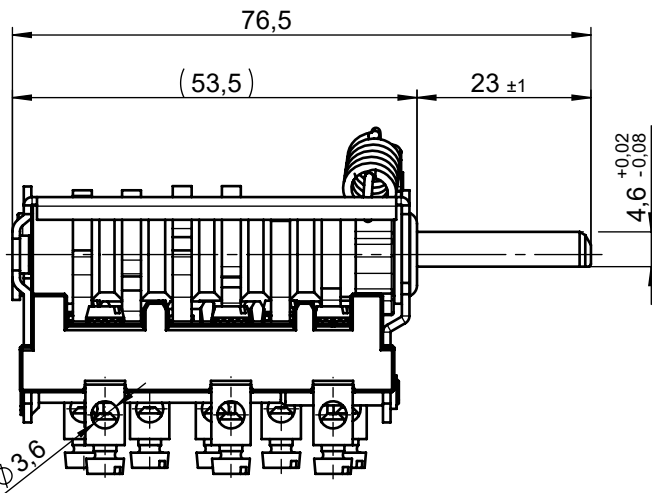
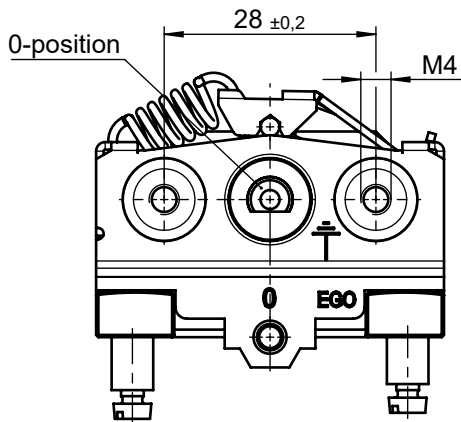


Only for VDE!

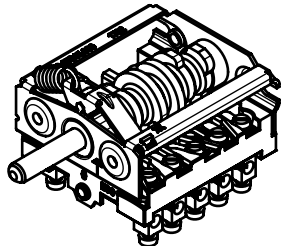
Switching diagram at clockwise rotation:



B



C



D

					This document is exclusively committed to you for the agreed purpose. Any kind of duplication, utilization or communication of its content is prohibited, if not expressly conceded otherwise. Violators are committed to pay compensations. Any claims of existing or future property rights remain unaffected.		Blank No.		EN Mat.No.		Scale Unit mm		
							Material				Scale 1:1		
							Surface Texture ISO 1302						
							General Tolerances ISO 2768-cL						
							CAD		Date		Name		
0		F05209		2019-05-16		Creat.		2018-04-05		OSWALDR		Designation <b>EGO Switch 49.27215.XXX</b>	
Cha.		Information No.		Date		Proc.		2019-04-25		OSWALDR			
F.Rel.		F05209		2019-05-16		Rel.		2019-04-29		DIMAGGIA			
							document id.		C000019387-002-00-A		Stat. Sheets Doc. Ex.Doc.		
							F						
Origin					Repl.for 49.27215.020					Repl.by		Ref.	



1 2 3 4 5 6