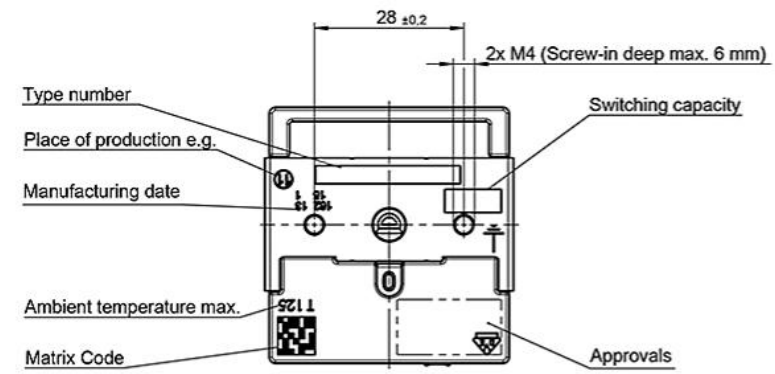
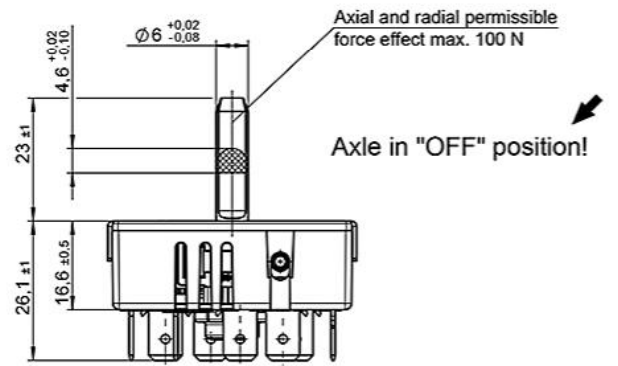
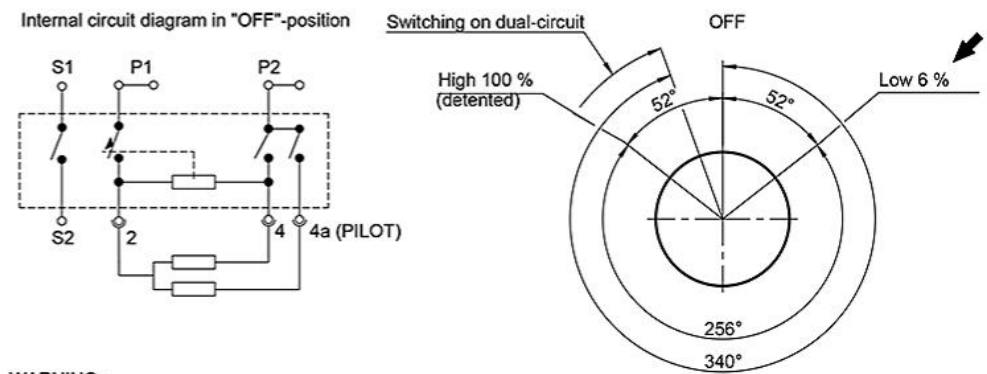


Tab Terminal DIN 46244-A6,3-0,8

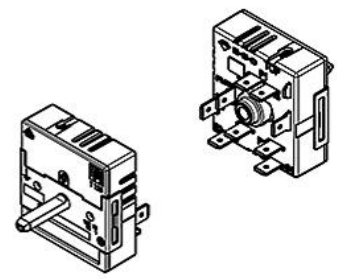


Remarks:
 1. The Regulator in built-in condition has to be included in the protective / safety measures of the appliance!
 2. Technical wiring instructions of EVU's have to be observed!



WARNING:
 This control provides for all-pole disconnection of the load, which should be connected between terminals 2 and 4 as shown as on this drawing.
 The requirements of the IEE Wiring Regulations (BS.7671) must be observed when the appliance is connected to the electrical supply.

- Technical information:
- Switching capacity for contact:
 - P1 - 2 7/400, 13/240 Test Class II micro gap
 - P2 - 4 7/400, 13/240 +++ > 3 mm
 - P2 - 4a 7/400, 13/240 > 3 mm
 - total amperage P2-4 and P2+4a max. 13 A
 - S1 - S2 0,6/400 +++
 - Max. ambient temperature for endurance 125 °C
 - VDE Tracking Index: KC 175
 - Operating range: 52-308 <° (clockwise gradient)
Initiation of second circuit (P2-4a) at 340 <° (end stop)
This state is maintained until the axle is turned back to "OFF"-position again.
 - Output infinitely variable 6-70 % (97.50900.521)
 - Deviation of axle plane surfaces max. ±3 <° (0-position)



50.85071.000	240	13	blue	black
50.85031.000	400	7	red	black
50.85021.000	230	13	—	black
Type number	V AC Voltage	A Amperage	Colour code	Axle colour

8	F04697		This document is exclusively committed to you for the agreed purpose. Any kind of duplication, utilization or communication of its content is prohibited, if not expressly conceded otherwise. Violators are committed to pay compensations. Any claims of existing or future property rights remain unaffected.			Blank No.	EN Mat.No.			Scale Unit
7	F04658	2015-04-24				Material				Scale
6	F04532	2014-09-30				Surface Texture ISO 1302				1:1
5	F04441	2014-06-05				General Tolerances				
4	F04351	2014-03-03				Designation	EGO Energy-Regulator			
3	F04326	2013-12-16	CAD	Date	Name					
2	F04297	2013-12-03	Creat.	2013-10-24	OSWALDR					
Cha.	Information No.	Date	Proc.	2015-06-17	SPODJED					
F.Rel.	F04253	2013-10-28	Rel.	2015-06-18	BSOSTARIC					

		Drawing No.	Sh.No.	Ver.	Stat.	Sheets	Doc.	Ex.Doc.
		50.85001.000	101	8	F			
Origin	Repl.for	Repl.by	Ref.					