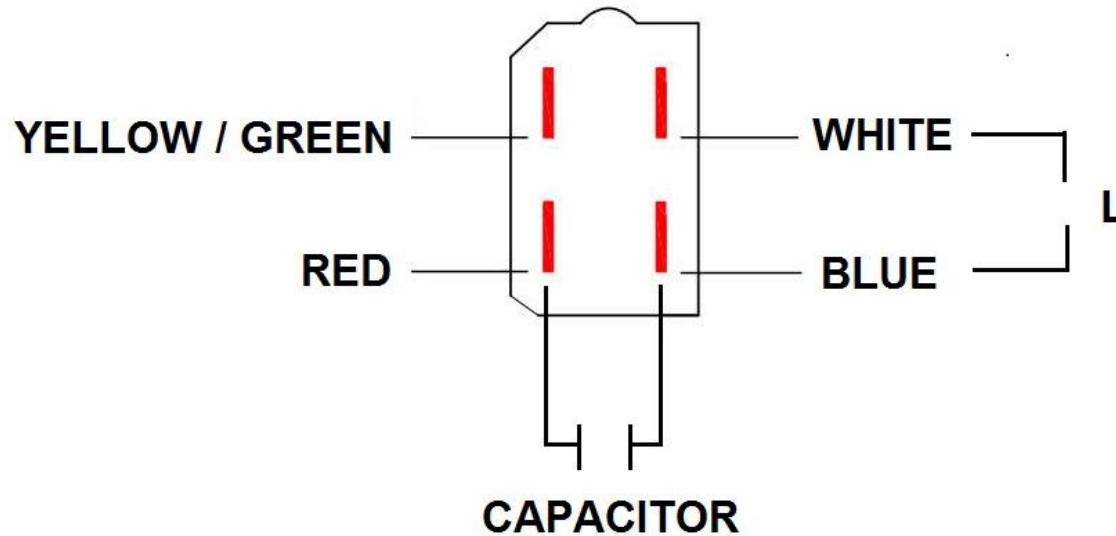


# CONNECTIONS FA30/31



-LINEA 220/240v: WHITE / BLUE

-CAPACITOR: RED / BLUE