

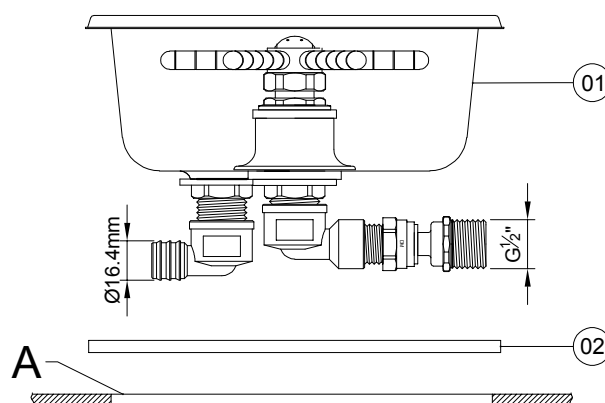
# Installation Instruction/安装说明书

## Model/型号: 9860N-B

When you open the product package, firstly, please check carefully the accessories according to following Part Number guide drawing. If you found any parts missing, please contact your local dealer or our factory soonest.  
打开产品包装后, 首先请您按照下表及下图仔细清点配件。如有短缺, 请立即与当地经销商或本公司联系。

Attention: Be sure to read all the contents of this installation manual before installation  
敬告: 安装使用前务必仔细阅读本安装使用说明书的全部内容!

Part Number Guide/零配件			
		QUANTITY/数量	MATERIAL/材料
1	Sink/水槽	1	S/S304
2	Washer/垫片	1	EPDM



\*All diagram here are for reference only, specifications are subject to the physical products.

\*产品外形以实物为准, 示意图仅供参考用。

### Technical data/技术参数:

Product Name/产品名称:

Container Rinser/洗杯器

Media/介质: Water/水

Pressure Max/最大工作压力: 6 bar

Pressure Min/最小工作压力: 0.5 bar

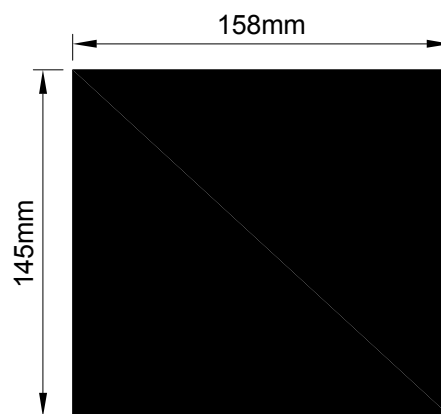
Safety pressure/安全水压: 2Bar(0.2Mpa.5.4L/min)

Hyper pressure scale/超压范围:  $\pm 10\%$

Max Working temperature/最大工作温度: 60 °C

Execution standard/执行标准: GB4806

Install connection/安装接口: G1/2"



**A**

### Installing cautions/安装注意事项:

A. This faucet has been professionally tested and adjusted, please do not disassemble and assemble by yourself.

本体龙头已经过专业检测, 出厂已调整至最佳状态, 请勿自行拆装。

B. Please clean the inlet pipe before installation, to avoid faucet clogged up, affect the normal water.

安装龙头前, 请务必清除管道内的杂物。以免杂物堵塞龙头, 影响正常出水。

C. The size of deck mounting shall be subject to the A of the above diagram.

安装台面孔尺寸请参照示意图A处标示为准。

D. Please check the sealing condition of each joint after the installation, important to make surer no leakage.

安装完成后, 请检查各连接处的密封情况, 各处均不能渗漏。