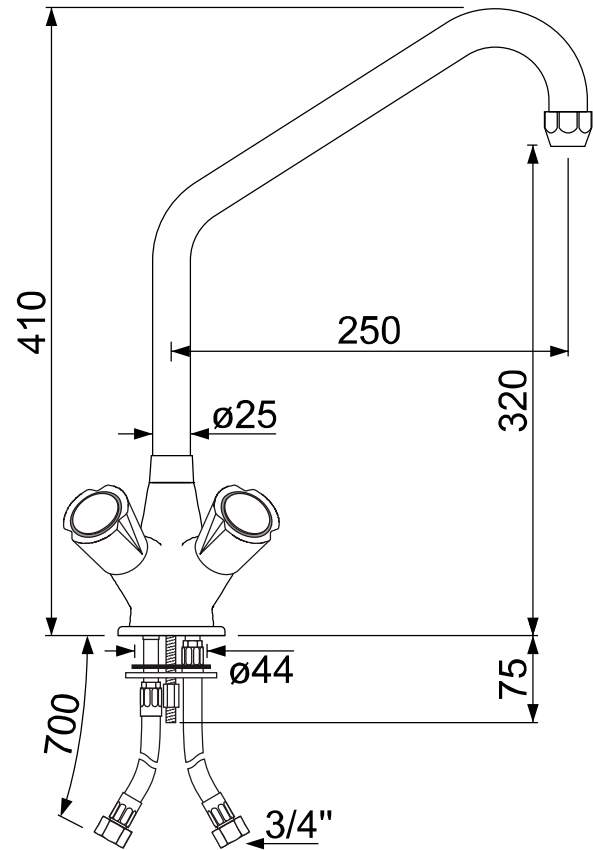


Item-No. 591306



Technical Data

version	with monobloc tap
type	Premium Plus
upper part	tap head 3/4"
spout projection	250mm
spout height	320mm

connection	3/4"
handle type	hood handle
table opening	$\varnothing 44$ mm
total height	410mm

Product Information

- monobloc tap, brass chromated, with 3/4" tap head, with metal hood handles, table opening $\varnothing 44$ mm, mounting thread size M8, length 75mm
- SS-flex hoses, DVGW-approved, DN12, length 700mm, connection 3/4", operating pressure 10bar, test pressure 32bar, burst pressure 95bar
- spout, HU-type, pipe- $\varnothing 25$ mm, spout projection 250mm, spout height 320mm