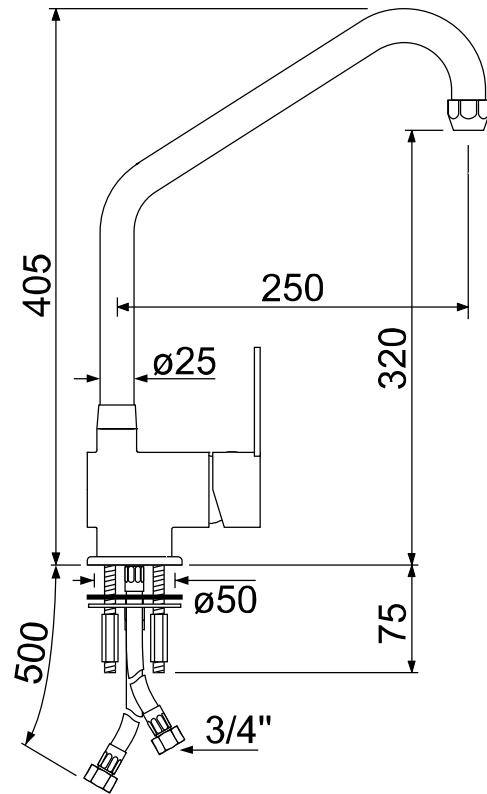


Item-No. 591335



Technical Data

version	with single-lever monobloc tap
type	Premium Plus
upper part	ceramic cartridge \varnothing 40mm
spout projection	250mm
spout height	320mm

connection	3/4"
handle type	lever handle
table opening	\varnothing 50mm
total height	405mm

Product Information

- single lever monobloc tap, chromated brass, with ceramic cartridge \varnothing 40mm, with lever handle, table opening \varnothing 50mm, mounting thread length 75mm
- SS-flex hoses, DVGW-approved, DN12, length 700mm, connection 3/4", operating pressure 10bar, test pressure 32bar, burst pressure 95bar
- spout, HU-type, pipe- \varnothing 25mm, spout projection 250mm, spout height 320mm