



T&S BRASS AND BRONZE WORKS, INC.
 2 Saddleback Cove / P.O. Box 1088
 Travelers Rest, SC 29690

Model No.
EU-2DP12-108H

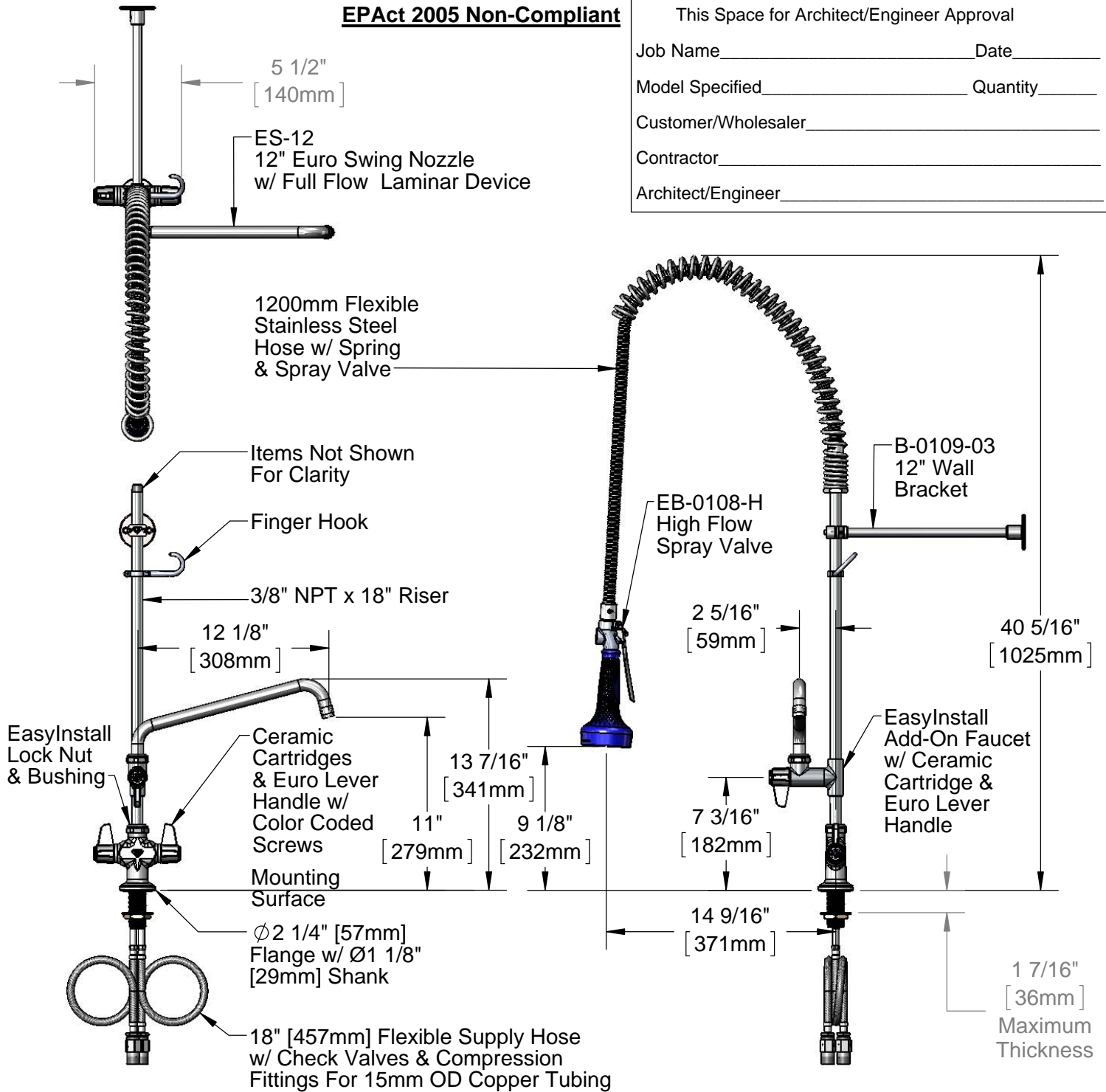
Item No.

Travelers Rest, SC: 800-476-4103 • Simi Valley, CA: 800-423-0150 • Fax: 864-834-3518 • www.tsbrass.com

EPAct 2005 Non-Compliant

This Space for Architect/Engineer Approval

Job Name _____ Date _____
 Model Specified _____ Quantity _____
 Customer/Wholesaler _____
 Contractor _____
 Architect/Engineer _____



Rough-In Requirement:
 Ø 1 1/2" [38mm] Mounting Hole

Product Specifications:
 Pre-Rinse Unit: EasyInstall Single Hole Deck Mount Mixing Faucet, Ceramic Cartridges, Euro Lever Handles, Add-On Faucet w/ 12" Swing Nozzle, 1200mm Flexible Stainless Steel Hose, High Flow Spray Valve, 12" Wall Bracket & 18" Inlet Flexible Hoses w/ Check Valves

Drawn DHL	Checked JRM	Approved JHB
Scale: 1:9		Date: 01/28/14

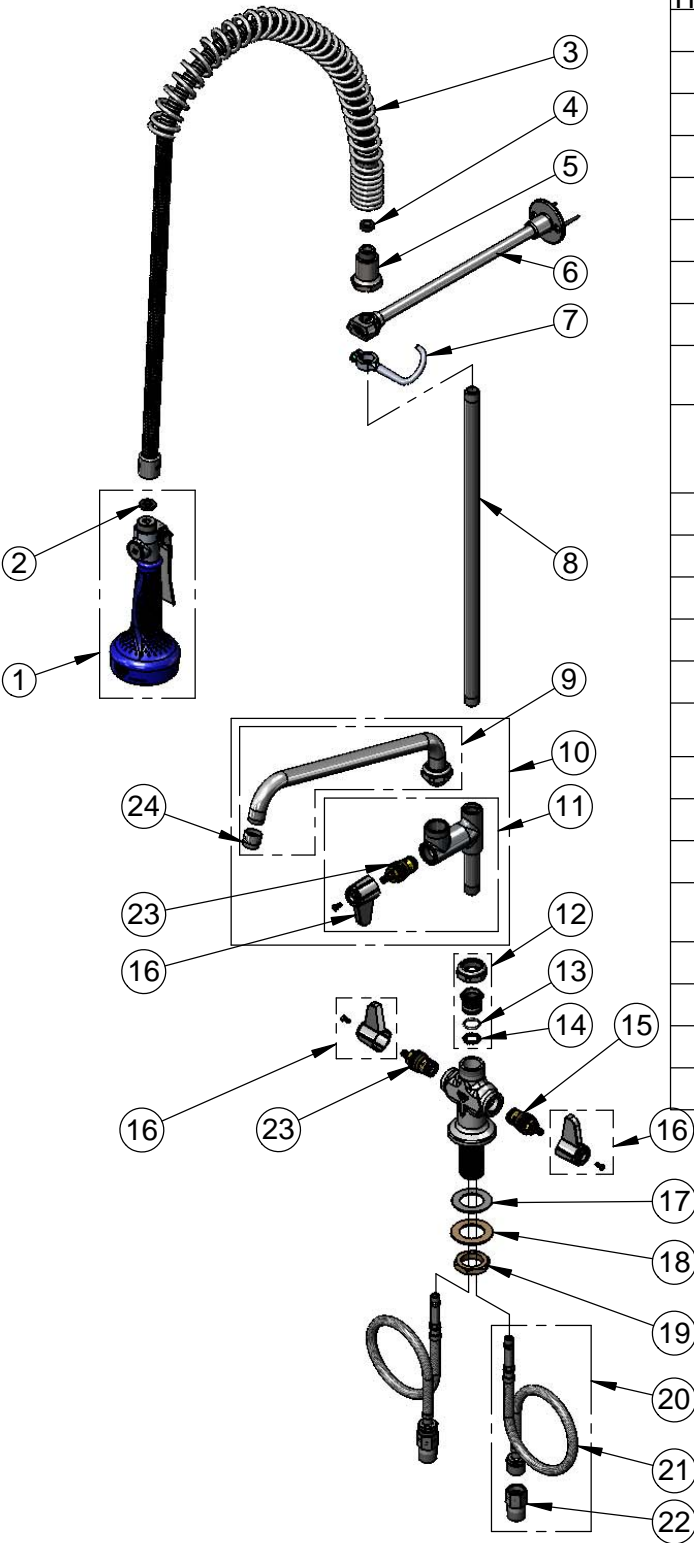


T&S BRASS AND BRONZE WORKS, INC.
 2 Saddleback Cove / P.O. Box 1088
 Travelers Rest, SC 29690

Model No.
EU-2DP12-108H

Item No.

Travelers Rest, SC: 800-476-4103 • Simi Valley, CA: 800-423-0150 • Fax: 864-834-3518 • www.tsbrass.com



ITEM NO.	SALES NO.	DESCRIPTION
1	EB-0108-H	High Flow Spray Valve w/ Ergo-Grip
2	001014-45	Washer, B-0100 Hose Barrel
3	000888-45	EasyInstall Overhead Spring
4	010476-45	#27 Washer
5	000821-40	Spring Body
6	B-0109-03	12" Wall Bracket
7	004R	Finger Hook
8	000369-40	3/8" NPT x 18" Riser
9	ES-12	12" Euro Swing Nozzle w/ Full Flow Laminar Device
10	EU-AF12	Euro Add-On Faucet w/ Ceramic Cartridge, 12" Euro Swing Nozzle & Euro Lever Handle
11	EU-AF00	Euro Add-On Faucet, Less Nozzle
12	EU-EZ-K	Euro EasyInstall Kit
13	001062-45	O-Ring
14	014200-45	Star Washer, Anti-Rotation
15	013788-45	Equip Ceramic Cartridge, LTC
16	E-HDL-L	Euro Lever Handle w/ (2) Color Coded Screws
17	014612-45	Deck Seal
18	002290-45	Lock Washer
19	000965-45	Lock Nut
20	016068-25	Euro 15mm Flexible Supply Hose w/ Check Valve
21	012436-45	Euro 15mm Flexible Supply Hose
22	016047-25	15mm Check Valve w/ Housing
23	013787-45	Equip Ceramic Cartridge, RTC
24	014250-45	3/4-27 Full Flow Laminar Device

Product Specifications:
 Pre-Rinse Unit: EasyInstall Single Hole Deck Mount Mixing Faucet, Ceramic Cartridges, Euro Lever Handles, Add-On Faucet w/ 12" Swing Nozzle, 1200mm Flexible Stainless Steel Hose, High Flow Spray Valve, 12" Wall Bracket & 18" Inlet Flexible Hoses w/ Check Valves

Drawn DHL	Checked JRM	Approved JHB
Scale: NTS		Date: 01/28/14