



**T&S BRASS AND BRONZE WORKS, INC.**  
 2 Saddleback Cove / P.O. Box 1088  
 Travelers Rest, SC 29690

Model No.  
**B-7102-01**

Item No.

Travelers Rest, SC: 800-476-4103 • Simi Valley, CA: 800-423-0150 • Fax: 864-834-3518 • www.tsbrass.com

This Space for Architect/Engineer Approval

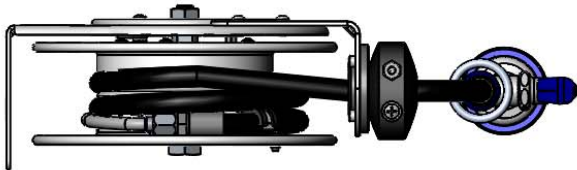
Job Name \_\_\_\_\_ Date \_\_\_\_\_

Model Specified \_\_\_\_\_ Quantity \_\_\_\_\_

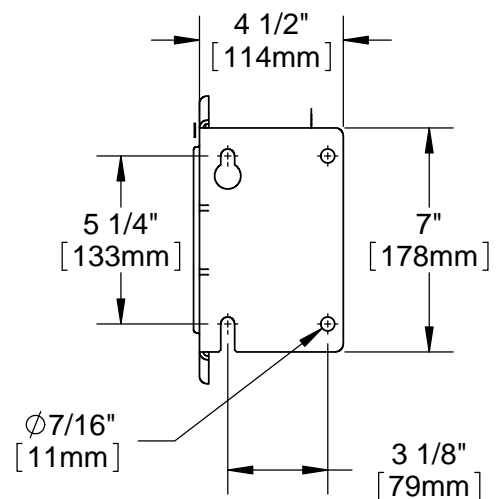
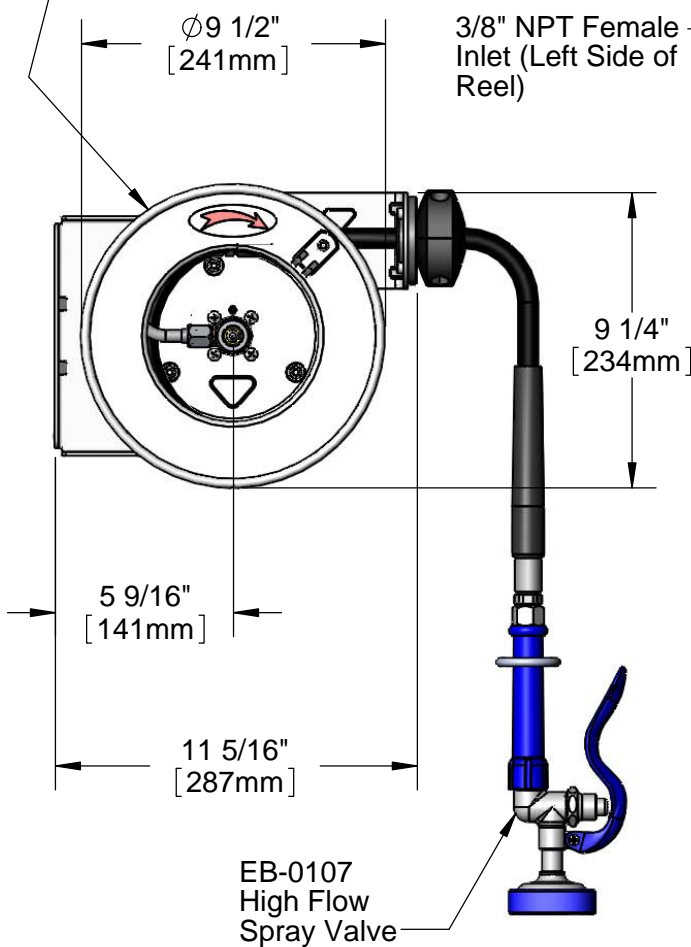
Customer/Wholesaler \_\_\_\_\_

Contractor \_\_\_\_\_

Architect/Engineer \_\_\_\_\_



Open Stainless Steel Hose Reel  
 12 Ft. of 3/8" Hose



Product Specifications:  
 Hose Reel System:  
 3/8" x 12 Ft. Open Stainless Steel Reel w/ High Flow Spray Valve

Drawn <b>DHL</b>	Checked <b>DMH</b>	Approved <b>JHB</b>
Scale: <b>1:6</b>	Date: <b>02/21/14</b>	



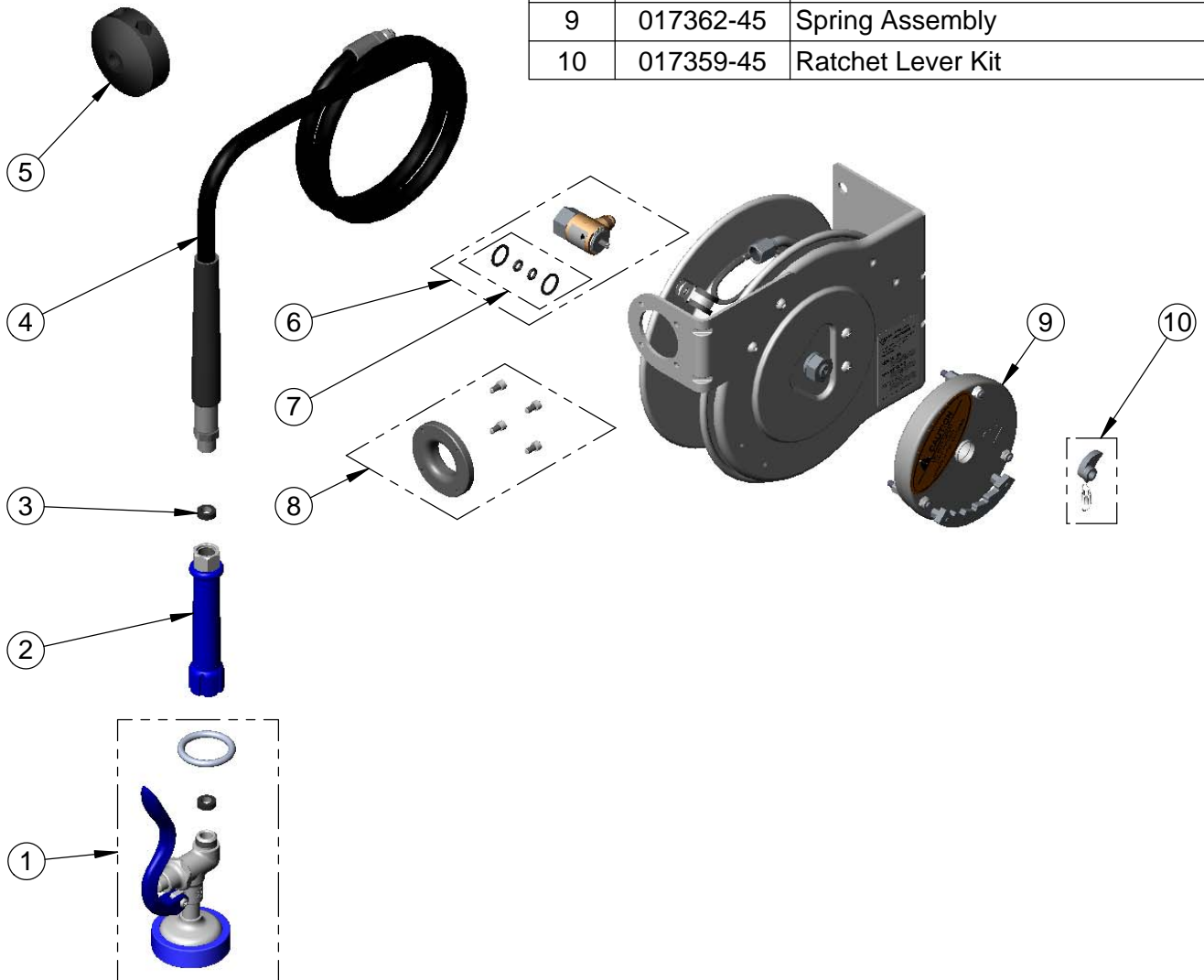
**T&S BRASS AND BRONZE WORKS, INC.**  
 2 Saddleback Cove / P.O. Box 1088  
 Travelers Rest, SC 29690

Model No.  
**B-7102-01**

Item No.

Travelers Rest, SC: 800-476-4103 • Simi Valley, CA: 800-423-0150 • Fax: 864-834-3518 • www.tsbrass.com

ITEM NO.	SALES NO.	DESCRIPTION
1	EB-0107	High Flow Blue Spray Valve
2	012504-40	Blue Grip Handle
3	010476-45	#27 Washer
4	017938-45	3/8" x 12' Replacement Hose
5	G016590-45	Hose Stop Repair Kit
6	017355-45	Swivel Repair Kit
7	014948-45	O-Ring Replacement Kit
8	017352-45	Guide Bushing Kit
9	017362-45	Spring Assembly
10	017359-45	Ratchet Lever Kit



Product Specifications:  
 Hose Reel System:  
 3/8" x 12 Ft. Open Stainless Steel Reel w/ High Flow Spray Valve

Drawn <b>DHL</b>	Checked <b>DMH</b>	Approved <b>JHB</b>
Scale: <b>NTS</b>		Date: <b>02/21/14</b>