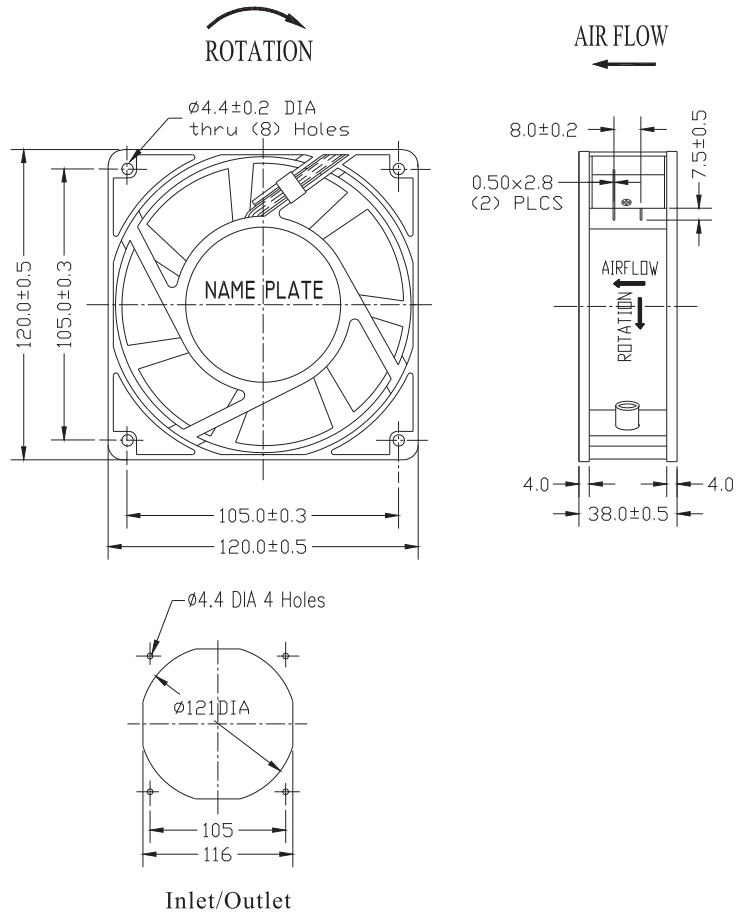


AC 1238 SERIES AXIAL FAN

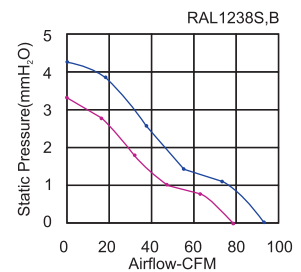
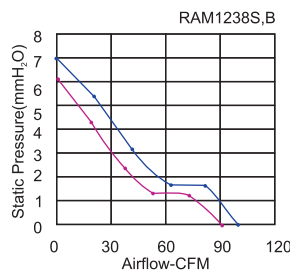
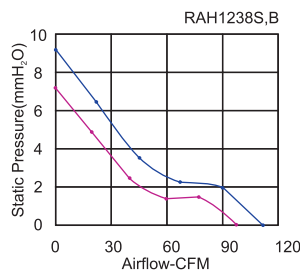
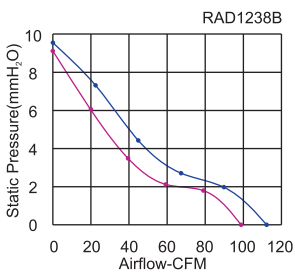


Size: 120mmx120mmx38mm
 Airflow: 133~190m³/hr
 78~112CFM
 Weight: 560g
 Noise: 35~44dB
 Impeller: PBT UL94V-0 Reinforced Plastic
 Frame: Aluminum Alloy
 Terminals: 0.5mm
 Lead Wire: AWG#22 UL 1430
 (Optional)
 Motor: Shaded Pole Induction Motor
 Safety: UL.CUL.TUV.CE
 Operation Temperature: -10°C~+70°C



Unit:mm

Model	Bearing System	Voltage VAC	Freq. Hz	Current A	Power W	Speed RPM	Noise dBA	Air Flow		Static Pressure (mmH ₂ O)	Weight Gram
								M ³ /hr	CFM		
RAH1238S1(7B)	Sleeve	220~240	50/60	0.20	28/24	2600/3000	39/44	165/189	97/111	7.4/9.3	560
RAM1238S1(7B)		220~240	50/60	0.16	16/15	2450/2700	38/42	155/170	91/100	6.2/7.0	
RAL1238S1(7B)		220~240	50/60	0.10	12/11	2100/2450	35/40	133/155	78/91	3.5/4.3	
RAH1238S2(7B)		100~125	50/60	0.30	29/24	2600/3000	39/44	165/189	97/111	7.4/9.3	
RAM1238S2(7B)		100~125	50/60	0.25	19/17	2450/2700	38/42	155/170	91/100	6.2/7.0	
RAL1238S2(7B)		100~125	50/60	0.20	14/13	2100/2450	35/40	133/155	78/91	3.5/4.3	
RAD1238B1(7B)	Ball	220~240	50/60	0.20	28/24	2600/3000	39/44	168/190	99/112	9.1/9.5	
RAH1238B1(7B)		220~240	50/60	0.20	28/24	2600/3000	40/44	165/189	97/111	7.4/9.3	
RAM1238B1(7B)		220~240	50/60	0.16	16/15	2450/2700	39/42	155/170	91/100	6.2/7.0	
RAL1238B1(7B)		220~240	50/60	0.10	12/11	2100/2450	35/38	133/155	78/91	3.5/4.3	
RAD1238B2(7B)		100~125	50/60	0.30	29/24	2600/3000	39/44	168/190	99/112	9.1/9.5	
RAH1238B2(7B)		100~125	50/60	0.30	29/24	2600/3000	40/44	165/189	97/111	7.4/9.3	
RAM1238B2(7B)		100~125	50/60	0.25	19/17	2450/2700	39/42	155/170	91/100	6.2/7.0	
RAL1238B2(7B)		100~125	50/60	0.20	14/13	2100/2450	35/38	133/155	78/91	3.5/4.3	



Key
 — 60Hz
 — 50Hz