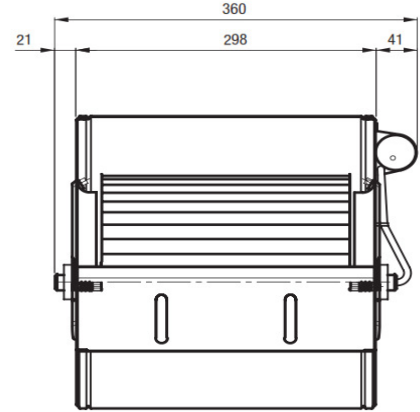
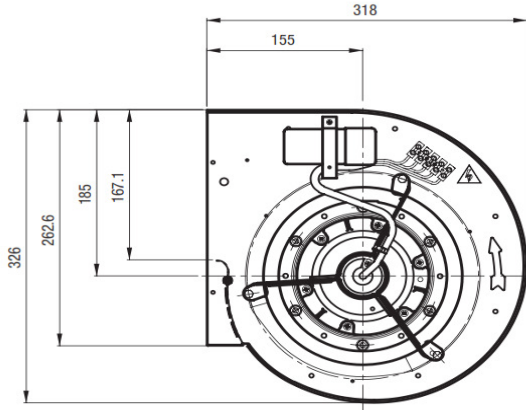


DDM89-420W

Mod.

195TL700



[TYPE]	[WATT]	[AMP MAX]
DDM 8/9 Tight	420	3.15
[MOTOR]	[VOLT]	[PROT.]
E6G3405	230 1~	IP 55
[TEST NR.]	[Hz.]	[T.H.]
S4690	50	YES-OUT
[DATE]	[POLES]	[INS. Cl.]
01/08/2014	4	F
	[qF]	
	12.5/450V	

ZINGONIA FAN TEST LABORATORY

10000 m³/h test chamber - AMCA 210/99
 AIR DENSITY: 1,20 kg/m³
 Installation type "B": free inlet, ducted outlet dB(A)
 free field noise measurements at 1 m

This test data obtained in a laboratory registered by AMCA for AMCA 210/99 air performance testing. Data is not certified by AMCA.

