



GRYPHON™

# THE NEXT GENERATION OF COIN VALIDATION

**Building on the reliability and legacy of the MEI CashFlow, Gryphon delivers the next generation of change giving technology with advanced features to elevate the vending payment experience and ensure a future-proof solution.**

- Proprietary, digital coin-sensing technology provides increased acceptance speed and an additional layer of security
- USB connection ensures seamless software upgrades, plus data retrieval, reducing at-machine upgrade time by up to 80% and ensuring ultimate security during data transfers
- Full feature set including payment master allows for full audit and closed loop payment
- Advance features in the change manager variant include IrDa audit capability and multi-host interface
- Six coin tubes enables a single configuration across any global application and allows for any global coin standard
- Advanced tube level sensing design ensures accurate coin count regardless of weather conditions
- Paired with CPI Synq™ Bluetooth module, Gryphon is equipped for on-site diagnostics via the Simplifi™ mobile app



# Gryphon Coin Changer Specifications & Benefits

## Configuration and Options

### Power Consumption

- Standby: 5 Watts
- Acceptance: 10 Watts
- Full Stack Max: 50 Watts

### Accessories

- CPI Synq Bluetooth module
- Smart 7 closed loop payment
- MBD peripheral

## Specifications

### Acceptance Rate

97% or greater for all coins at nominal conditions.

### Power Requirements

24VDC, 34 VDC MDB

### Interfaces

MDB, EXEC, BDV

### Connectivity

USB, IrDa, Bluetooth

### Support Tools

STS Advance Software

## Variants

### Payment Master: G1

- Full audit capability
- Closed site payment
- Configuration via USB and PC
- Sonar tube measurement with autofloat

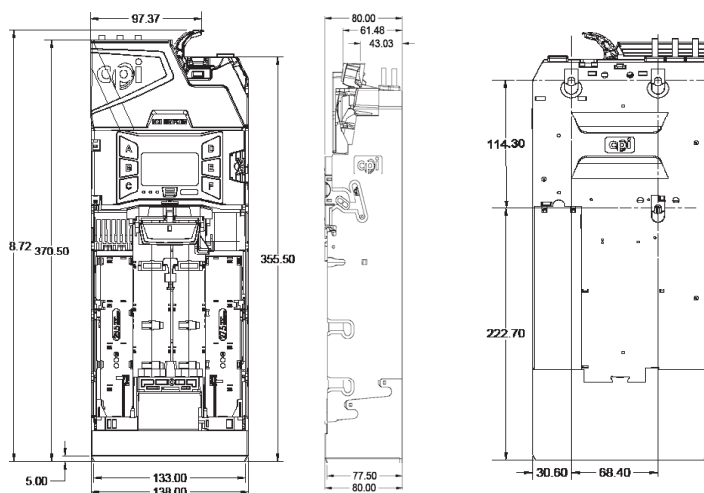
### Change Manager: G2-B

- IrDa
- Configuration via USB and PC
- Sonar tube measurement with autofloat

### Coin Changer Multi: G2-X

- Standard tube level sensing
- Sonar tube measurement (no autofloat)
- Configurable via PC only

## Dimensions



Visit [CranePI.com/Gryphon](http://CranePI.com/Gryphon) to learn more.



CPI has made every effort to assure that the information in this document is accurate. However, we cannot be held responsible for any errors or omissions. © 2020 Crane Payment Innovations. All rights reserved.

CranePI.com