

COMPRESSOR MODEL	CLIENT	VERSION NUMBER	DATE
TH1116Y(Aluminum) 220~240V/50Hz		1.0	2020-07-06

R600a HERMETIC COMPRESSOR

TECHNICAL SPECIFICATION

[MODEL: TH1116Y (Aluminum)]

JIAXIPERA COMPRESSOR CO., LTD.

COMPRESSOR MODEL	CLIENT	VERSION NUMBER	DATE
TH1110Y(Aluminum) 220~240V/50Hz		1.0	2020-07-06

Application:

Application	LBP
Range of evaporating temperature	-35 °C to -10 °C
Refrigerant	R600a
Control device	Capillary tube
Compressor cooling	Static cooling
Starting torque	L.S.T
Max. ambient temperature	43 °C
Max. steady condensing temperature	60 °C
Max. peak condensing temperature	70 °C
Max. winding temperature	130 °C

Normal Performance

Test standard	ASHRAE
Capacity (W)	184
Power consumption (W)	105
COP (W/W)	1.75
Current (A)	0.55
Noise [dB(A)]	40
Vibration(m/s ²)	0.7

Mechanical information

Displacement	10.5 cm ³	
Oil	Oil type	Iso5/Iso7
	Viscosity	4.8~6.2/6.8~8.2 mm ² /S (40 °C)
	Density	0.865~0.87g/ml (15 °C)
	Initial charge	160ml
	Recharge	85%
Weight (with oil charge)	~7.2kg	

Motor Data

Motor type	RSCR
Motor protection	External protection
Approved voltage range	187-254V
Resistance of main coil (Ω, 25 °C)	22 ± 7%
Resistance of auxiliary coil (Ω, 25 °C)	23.4 ± 7%
Locked rotor amperage	9.9A

Electrical Components

Overload protector	B52-120
Rating current	5.2A
Opening temperature	120 ± 5 °C
Closing temperature	61 ± 9 °C

COMPRESSOR MODEL	CLIENT	VERSION NUMBER	DATE
TH1110Y(Aluminum) 220~240V/50Hz		1.0	2020-07-06

PTC starting relay	QP3-12A
Max. working voltage	350V
Max. working current	8A
Run Capacitor	4.0μF/450VAC

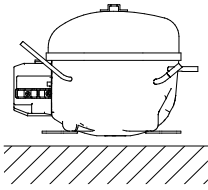
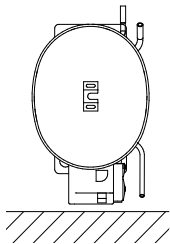
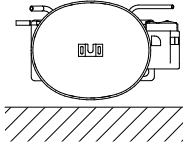
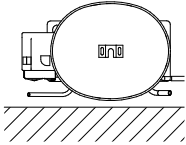
Exterior character

Base plate	170*70mm	
Top bracket or top piece	Optional	
Water tray	Optional	
Connection tube	Suction tube	Φ6.1-6.2mm, copper
	Service tube	Φ6.1-6.2mm, copper
	Discharge tube	Φ4.1-4.2mm, copper

Limit working condition

Ambient temperature	0~43 °C
Range of evaporating temperature	-35 °C to -10 °C
Voltage range	187~254 V~/50Hz
Max. discharge pressure	0.98 Mpa(gauge)
Max. winding temperature	130 °C
Starting capability	187V@0.25/0.25 Mpa(gauge)

Packaging and transport

Compressor	120 pcs/ pallet			
Shipment position	Upright	Electrical down	Tubes up	Tubes down
				

Handling during appliance assemble

Vacuum level	Max. 0.025MPa
Non-condensable gas limit	Max 1%
Max. opening connection time	10min
Inclination during assemble	Max. 3°
Running in vacuum condition	Not allowed
Use of non-special oil	Not allowed
Liquid return to compressor	Not allowed
Max storage time before assemble	6 months after product date

Other recommendation

A impacted compressor can't be used.

COMPRESSOR MODEL	CLIENT	VERSION NUMBER	DATE
TH1110Y(Aluminum) 220~240V/50Hz		1.0	2020-07-06

Don't use antifreeze.

The refrigeration system must be used for R600a exclusively.

Assure oil return correctly.

Don't start compressor when it is in vacuum state.

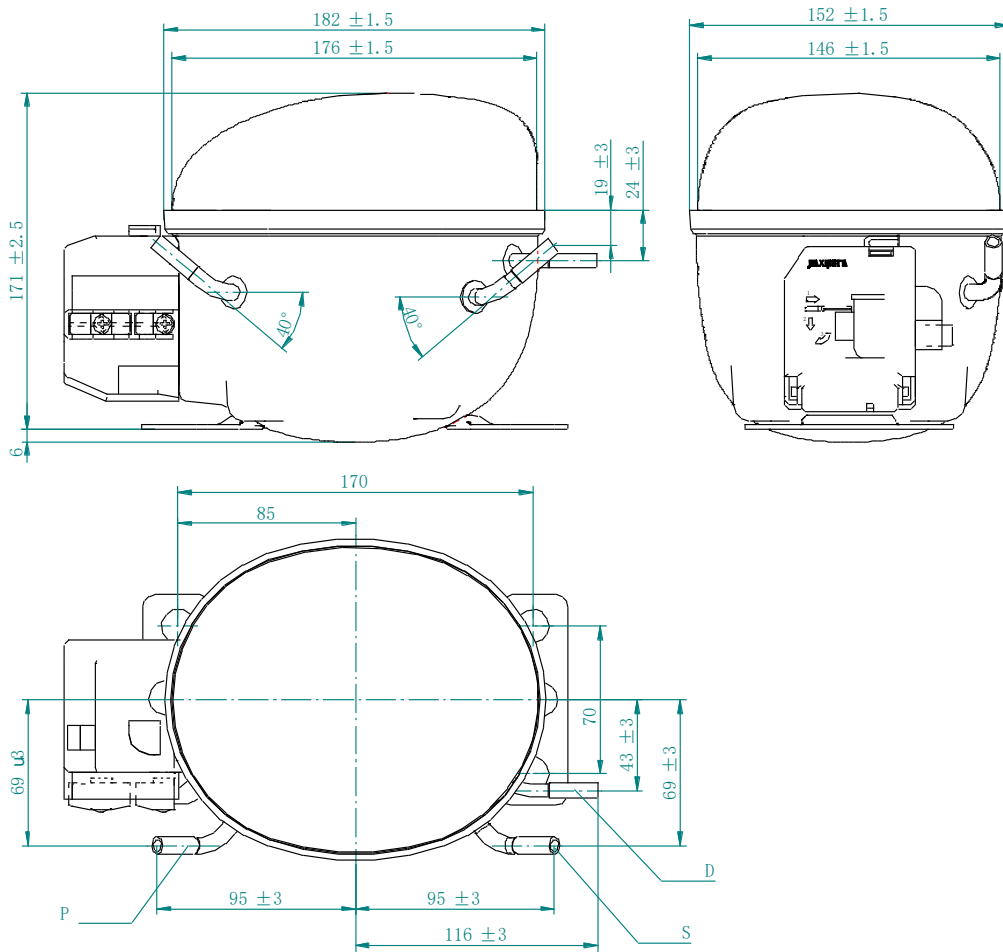
Avoid contamination of mineral oil (in vacuum pump) or paraffin.

Accessories

No.	Designation	Specification	Quantity
1	Cover	24.04.068	1
2	Cord relief	14.11.063	1
3	Overload protector	B52-120	1
4	Starting relay	QP3-12A	1
5	Rubber grommet	24.23.028	4
6	Earth screw	M4×8	1
7	Sleeve	24.22.004	4
8	Capacitor	4.0 μ F	1
9	Bolt	M6×33	4
10	Washer	6-140HV GB/T1996	4
11	Washer	6 GB/T1993	4
12	Nut	M6-GB/T41	4

COMPRESSOR MODEL	CLIENT	VERSION NUMBER	DATE
TH1110Y(Aluminum) 220~240V/50Hz		1.0	2020-07-06

Figure 1: Overall Dimension



Connecting tube		
Suction(S)	Process(P)	Discharge(D)
$\Phi 6.1\sim 6.2$ Inner-dia.	$\Phi 6.1\sim 6.2$ Inner-dia.	$\Phi 4.1\sim 4.2$ Inner-dia.

COMPRESSOR MODEL	CLIENT	VERSION NUMBER	DATE
TH1110Y(Aluminum) 220~240V/50Hz		1.0	2020-07-06

Figure 2: OLP/ e-PTC

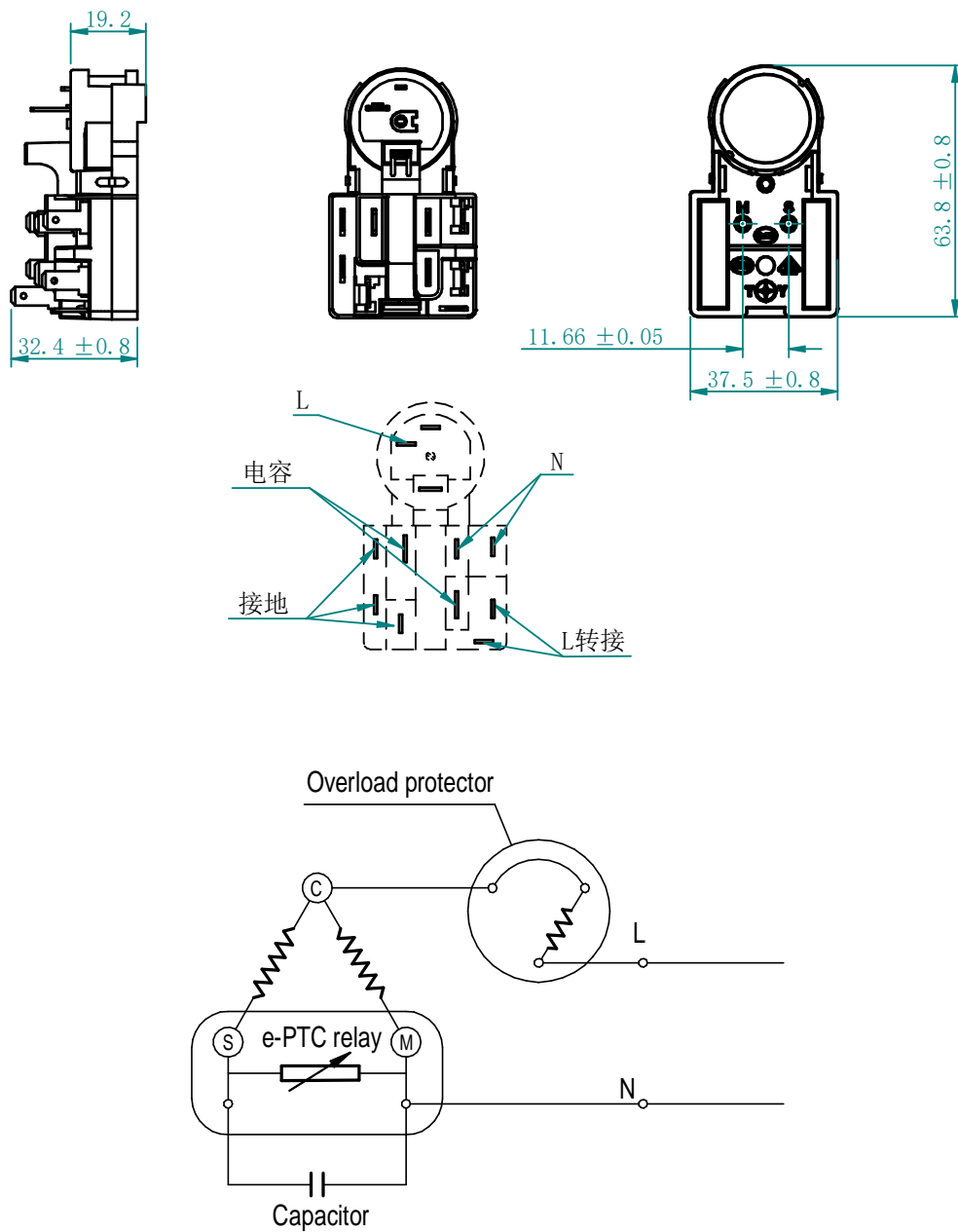


Figure 3: Assembly and Accessories

COMPRESSOR MODEL	CLIENT	VERSION NUMBER	DATE
TH1110Y(Aluminum) 220~240V/50Hz		1.0	2020-07-06

