

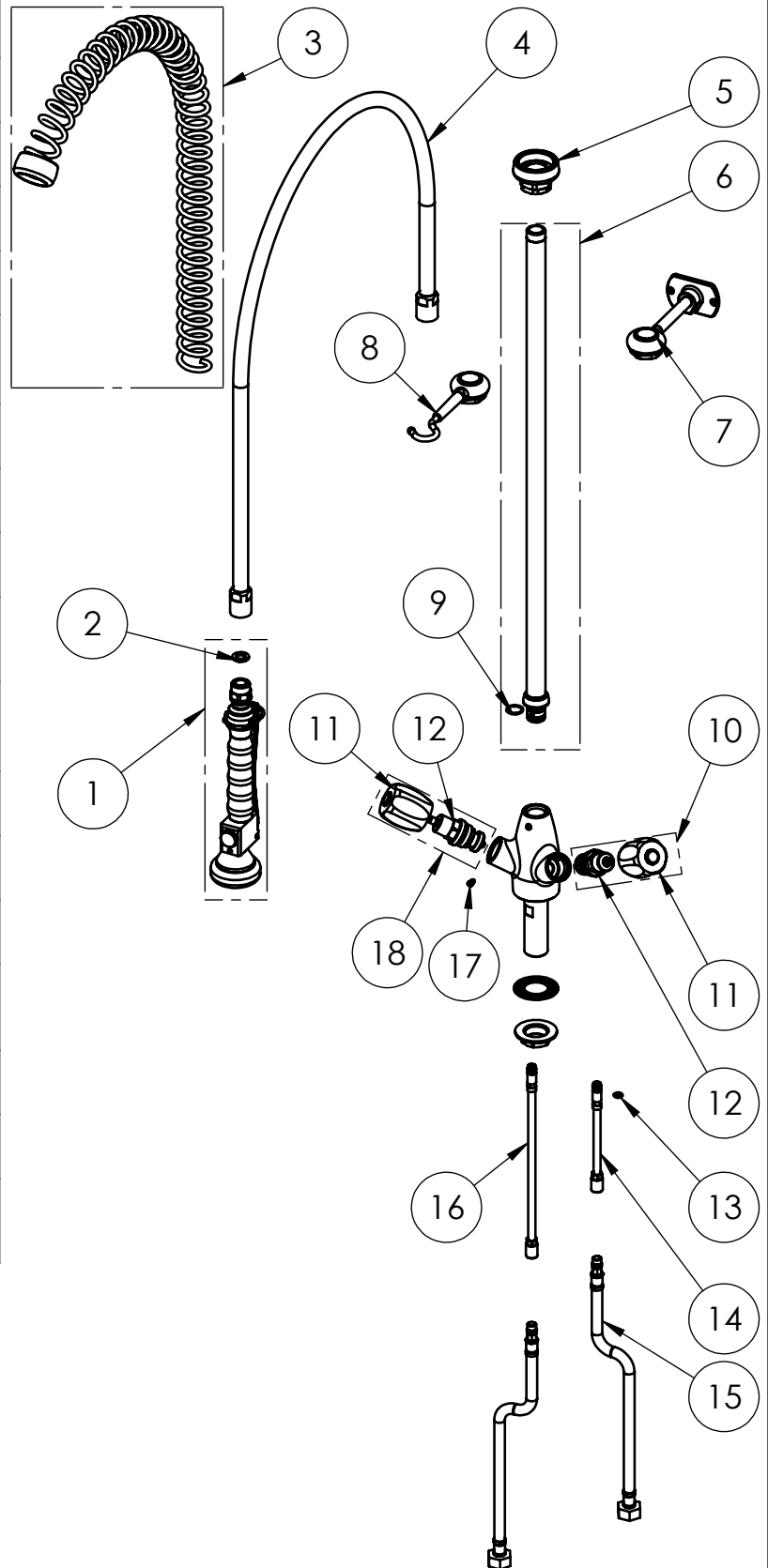
| TITLE / DESCRIZIONE | DRN / DIS | CHD / VER | APPR |
|--|--------------------|------------------------|--------------------|
| Heavy duty single hole, mixing temperature, deck mount Pre-Rinse Unit . 80mm-long mounting shank, G1/2" female inlets with check valves, G3/4" high flow compression headworks, riser tube - stainless steel, brass, chrome plated. 16L/min KLARCO "NEW" spray valve | SCALE / SCALA 1:10 | DATE / DATA 24/02/2020 | SHEET / PAG 1 of 2 |

| | | |
|----------------------|-----------------------------------|-----|
| NUMBER / CODICE DIS. | MODEL / PRODOTTO 2E.2103.00.11 | A4V |
|----------------------|-----------------------------------|-----|

This drawing contains proprietary information which is the property of KLARCO S.R.L. without whose written permission it may not be copied, shown or handed to a third party or otherwise used

Questo disegno contiene informazioni di proprietà di KLARCO S.R.L. e senza la sua autorizzazione scritta non può essere copiato, mostrato o ceduto a terzi o in qualsiasi altro modo usato

| ITEM NO. | SALES NO. | DESCRIPTION |
|----------|------------|--|
| 1 | P020 | SPRAY VALVE "NEW " BLACK(GREY BUMPER) |
| 2 | P074 | FLAT GASKET 1/2" Ø18,5x11 sp.2mm |
| 3 | P005 | OVERHEAD SPRING "GREY" |
| 4 | P003 | 120cm Ø17 F1/2"xF1/2" FLEXIBLE HOSE |
| 5 | P007 | SPRING CHROMED SUPPORT |
| 6 | P277 | 650mm G1/2" RISER W.O-RING |
| 7 | P034 | 115mm WALL BRACKETCHROMED |
| 8 | P035 | SPRAY VALVE CHROMED SUPPORT |
| 9 | P076 | O-RING 2062 (Ø15.6x1.78), EPDM 70 PEROX |
| 10 | V011/B | COMPLETE HANDLE W.BLUE CODED INDEX +HEADWORK KIT |
| 11 | H001/color | "EUROP" HANDLE W. COLOR CODED INDEX (specify the color B or R) |
| 12 | V010 | 3/4" HEADWORK |
| 13 | P158 | O-RING 106 (Ø6.75x1.78), EPDM 70 |
| 14 | P616 | EXTENSION COPPER PIPE L.140mm w.O-RING |
| 15 | F202 | L.35cm Flex S.S. Hose Ø12-DN8 Female G1/2" W. BACKFLOW PREV. |
| 16 | P618 | EXTENSION COPPER PIPE L.250mm w.O-RING |
| 17 | P241 | SPOUT SCREW (Long) |
| 18 | V011/R | COMPLETE HANDLE W.RED CODED INDEX +HEADWORK KIT |



TITLE / DESCRIZIONE
Heavy duty single hole, mixing temperature, deck mount Pre-Rinse Unit . 80mm-long mounting shank, G1/2" female inlets with check valves, G3/4" high flow compression headworks, riser tube - stainless steel, brass, chrome plated. 16L/min KLARCO "NEW" spray valve

DRN / DIS

CHD / VER

APPR

SCALE / SCALA 1:8

DATE / DATA 24/02/2020

SHEET / PAG 2 of 2

NUMBER / CODICE DIS.

MODEL / PRODOTTO
2E.2103.00.11

A4V