

AISI 304 Stainless Steel Case & Wall Bracket

NPS10 x 20 meters Food Grade NBR Rubber Hose

G1/2" Male Inlet for water entry (Left side)

"NITO II" Adjustable Flow Spry Gun

Jet Extention

PRODUCT COMPLIANCE:

ROHS 2002/95/CE;
REACH 1907/2006;
2006/42/EC;

ONLY FOR HOSE:

FDA
KTW-BWGL
WRAS

TITLE / DESCRIZIONE
MAXIReel Automatic, wall mount swivel hose reel, with 20m (NPS10) MULTIFOOD NBR retractable hose. Heavy duty NITO II COMBI spry gun with adjustable flow and 45cm jet extension. G1/2" male inlet with built in check valve. AISI 304 stainless steel case and wall bracket.

DRN / DIS
E.Artini

CHD / VER

APPR

SCALE / SCALA
1:12

DATE / DATA
15/06/22

SHEET / PAG
1 of 2

NUMBER / CODICE DIS.

MODEL / PRODOTTO

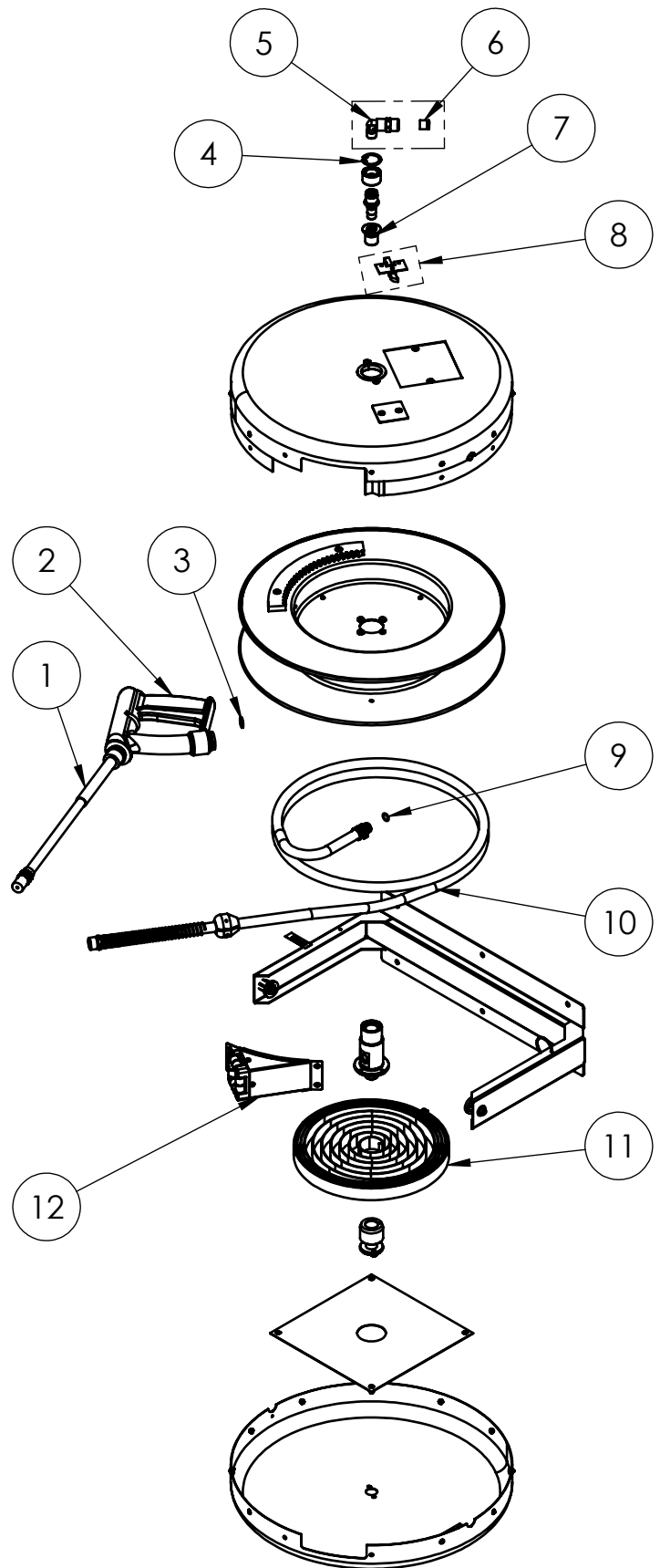
5R.M20.T480

A4V

This drawing contains proprietary information which is the property of KLARCO S.R.L. without whose written permission it may not be copied, shown or handed to a third party or otherwise used

Questo disegno contiene informazioni di proprietà di KLARCO S.R.L. e senza la sua autorizzazione scritta non può essere copiato, mostrato o ceduto a terzi o in qualsiasi altro modo usato

ITEM NO.	SALES NO.	DESCRIPTION
1	P148	JET EXTENSION L=45cm
2	P449	WATER GUN (Female G1/2")
3	P074	FLAT GASKET 1/2" Ø18,5x11 sp.2mm
4	P206	JS SEEGER-RING (HEAVY DUTY) DIN 472
5	P203	90° COUPLING + CHECK VALVE
6	P030	CHECK VALVE DW15/DN10
7	P333	BUSHING + O-RINGS
8	P273	PLATE WITH SPRING AND PAWL
9	P161	O-Ring 114 (Ø11,11x1,78mm) EP70P.A PEROX
10	F175	NPS10 x20m Hose Replacement Kit
11	P223	M15-M20 REEL SPRING
12	P387	M15-20 ROLLER REPAIR KIT



PRODUCT COMPLIANCE:

ROHS 2002/95/CE;
REACH 1907/2006;
2006/42/EC;

ONLY FOR HOSE:

FDA
KTW-BWGL
WRAS

TITLE / DESCRIZIONE
MAXIReel Automatic, wall mount swivel hose reel, with 20m (NPS10) MULTIFOOD NBR retractable hose. Heavy duty NITO II COMBI spry gun with adjustable flow and 45cm jet extension. G1/2" male inlet with built in check valve. AISI 304 stainless steel case and wall bracket.

DRN / DIS E.Artini	CHD / VER	APPR
SCALE / SCALA 1:12	DATE / DATA 15/06/22	SHEET / PAG 2 of 2
NUMBER / CODICE DIS.	MODEL / PRODOTTO 5R.M20.T480	A4V

This drawing contains proprietary information which is the property of KLARCO S.R.L. without whose written permission it may not be copied, shown or handed to a third party or otherwise used

Questo disegno contiene informazioni di proprietà di KLARCO S.R.L. e senza la sua autorizzazione scritta non può essere copiato, mostrato o ceduto a terzi o in qualsiasi altro modo usato