

F.M.I. part number: AC801500X

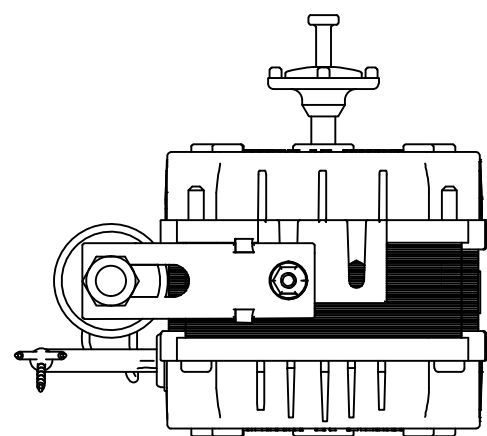
Customer part number:

S.P.:

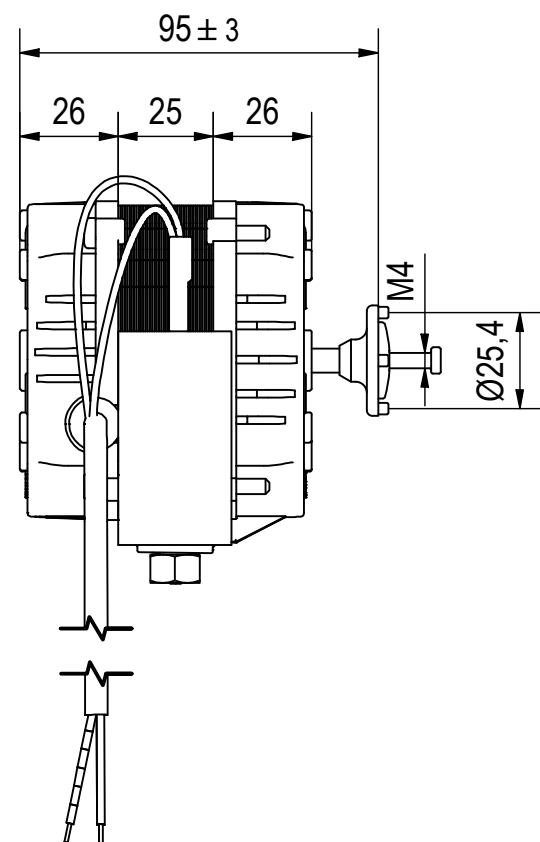
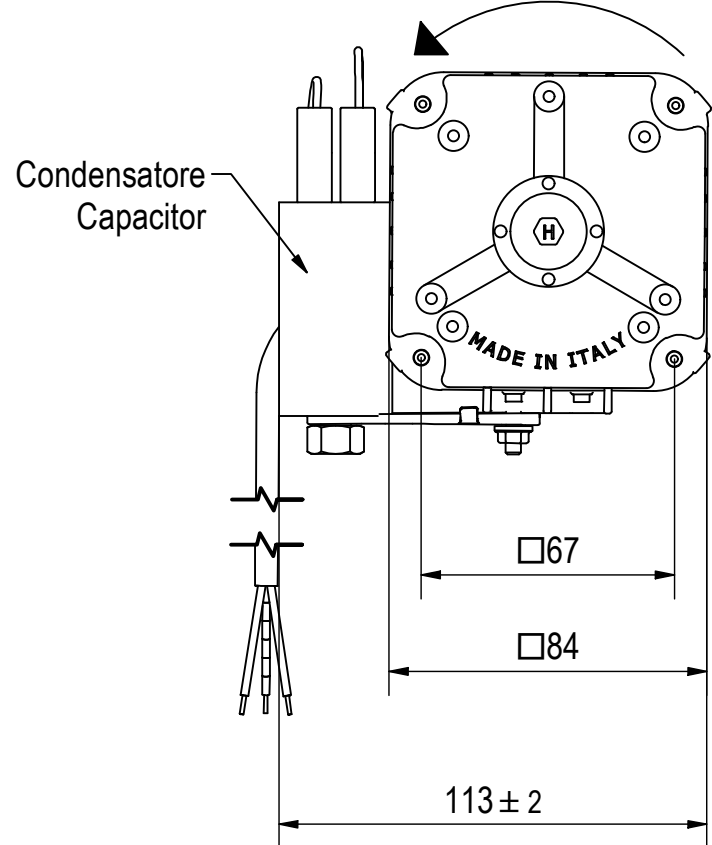
Issued: M.Nava

Checked:

Particolare per montaggio condensatore



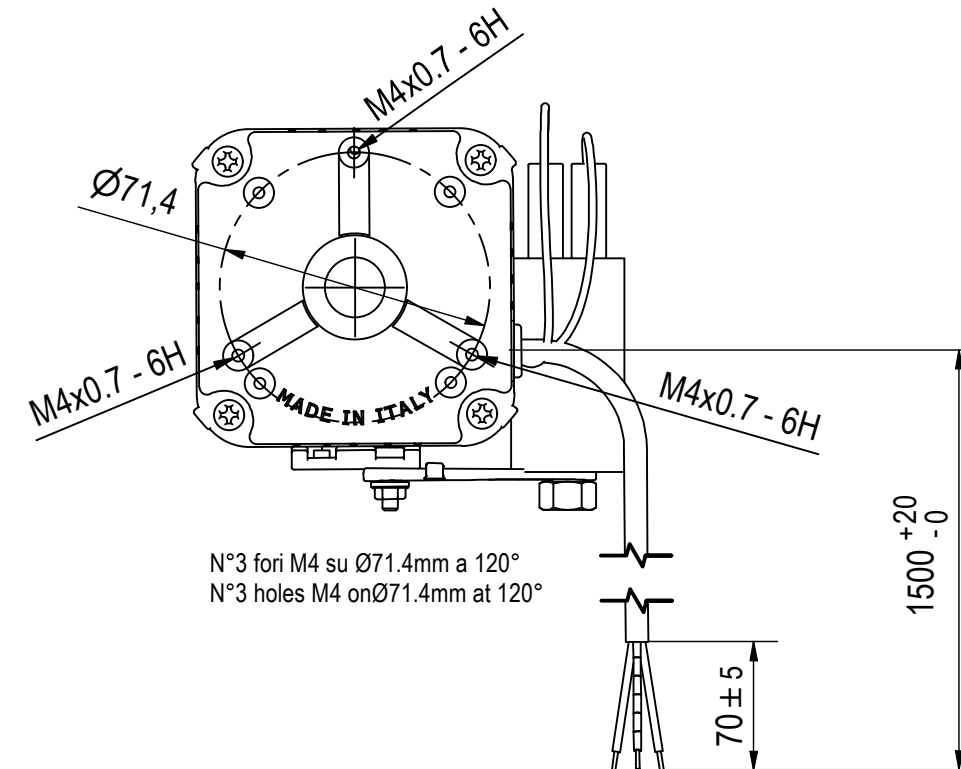
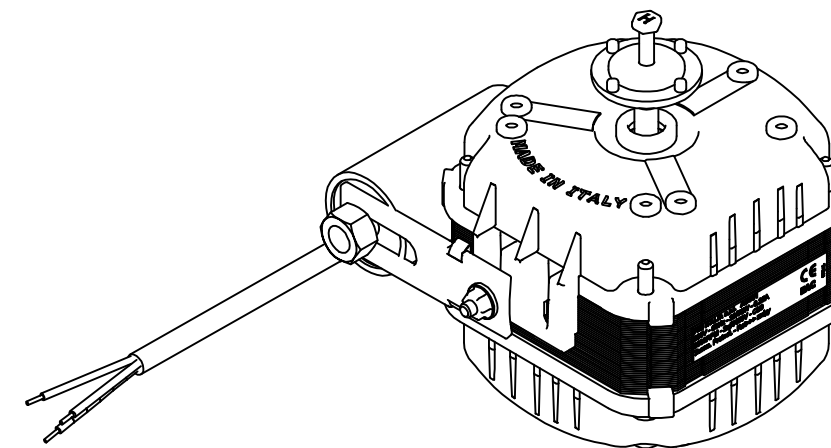
Rotazione antioraria lato uscita albero
C.C.W. rotation seen from shaft



Etichetta dati

Data label

FMI ITALIA s.r.l. AC801
230V - 50Hz - 20/58W - 0.25A
2600RPM - 2µF/450V - Cl.B
Therm. Protect. - Rot>>> xx/yy



Terminali AMP926933
Terminals AMP926933

Mese e anno di produzione
Month and year of production



This drawing is property of FMI Fan Motors Italia s.r.l.
Total or partial reproduction or transmission to third parties is forbidden without consent.



QUALITY MANAGEMENT SYSTEM
ISO 9001:2015 CERTIFIED

CERTIFICATE N. FMIF2932Q2001

Issued date: 04/09/2020

Date	Modification	Sign.

Customer stamp for acceptance

Note

PSC motor 25W

1 Gioco assiale: 0.5/2.5mm - Axial play: 0.5/2.5mm

2	
3	
4	
5	
6	