



ABS 2.0 Dispensing Valve Parts



Description	Part Number
Valve MFV Brand 2x2 Asy Slnd Flip - 620058272-02	620058272-029



Description	Part Number
Valve MFV Water 2x2 Asy Slnd Flip	620065917-017

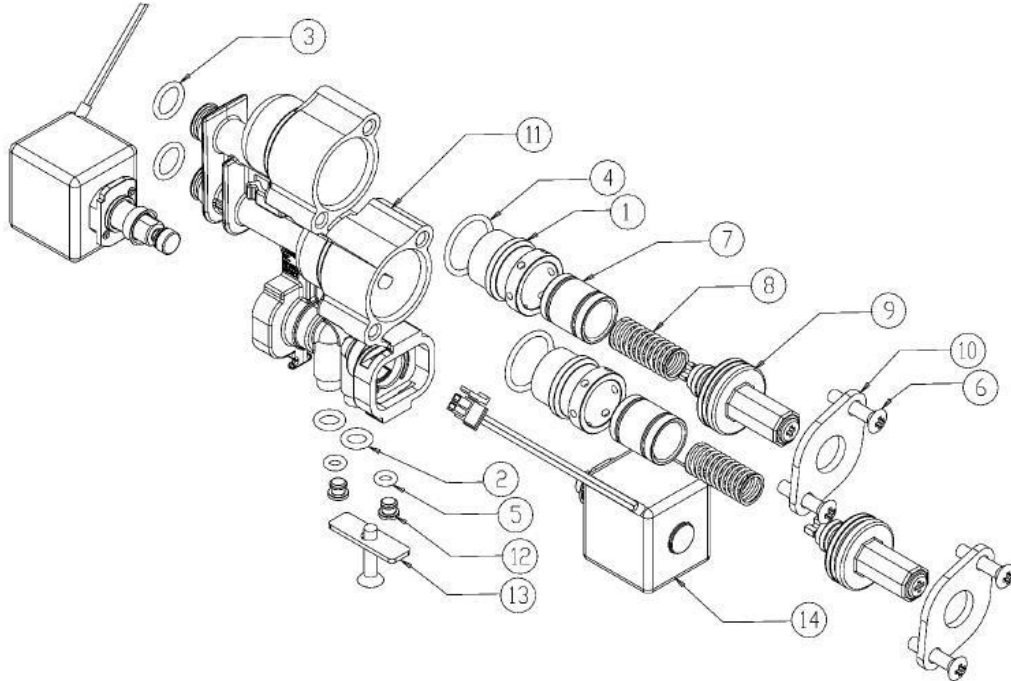


Description	Part Number
Body Valve Syrup MFV	620056892S



Description	Part Number
Seal Tip MVF	620070041

VALVE ASSEMBLY



NOTE: Please see the table below to help determine which valve components to order.

ABS 2.0 Dispensing Valve Parts List		
Item No	Description	Part Number
1	Ceramic Sleeve	1934
2	.239 ID, .077 CS O-Ring	740001852
3	.364 ID, .070 CS Quad Ring	620059773
4	.676 ID, .070 CS O-Ring	317816000
5	.145ID, .070 CS O-Ring	321544000
6	#8-16 Screw	560001108
7	Piston Syr Reg Crmic 2-4 Oz - Part also used on water slow flow	560006005
	Piston Wtr Reg Crmic SFV1 - High Flow	620052858
8	Flow Control Spring	560006176
9	Flow Control Screw Assembly Syrup (White Colored Screw, Black Screw Housing)	560007207
	Flow Control Screw Assembly Water (White Colored Screw, White Screw Housing)	560007207-1
10	Flow Control Retaining Plate	620046317
11	Valve Body	620056885
12	Bottom Plug for Valve Body	620056965
13	Plate for Bottom Plug	620056966
14	MFV Solenoid Assembly	620070042